

### ⚠ WARNING

1. High voltage may cause serious injury from electrical shock. Disconnect power to the furnace/air handler before starting installation.
2. Sharp edges may cause injury from cuts. Use care when cutting and handling sheet metal.

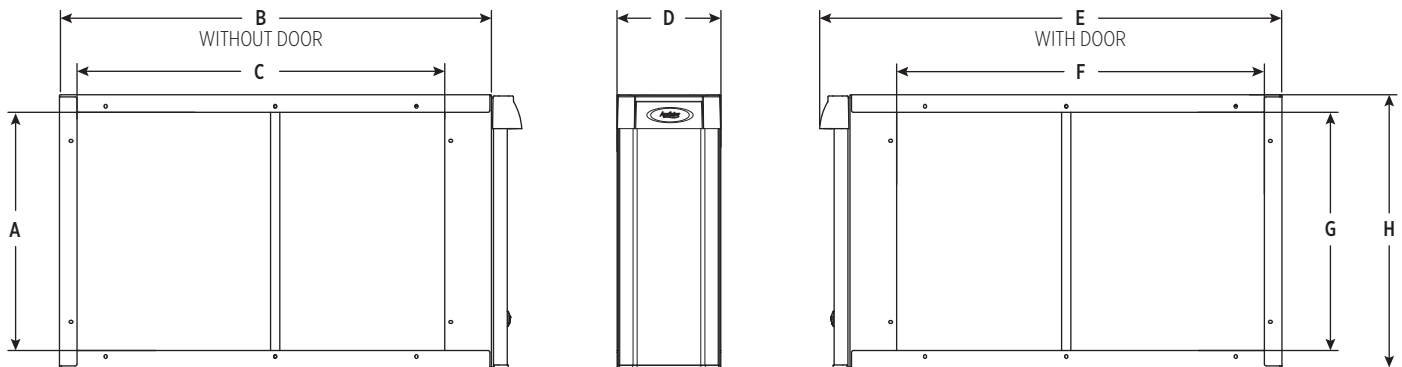
### ⚠ CAUTION

1. To prevent component failure, do not install the air cleaner on the warm air supply or in an area where the temperature may exceed 140°F. This may include areas above heat exchangers in downflow furnaces or above exhaust flues in lowboy furnace cold air returns.
2. Installation must be done by a qualified heating and air conditioning professional. Read instructions thoroughly before beginning installation.
3. Do not install air cleaner downstream of a UV light. UV lamps will cause degradation of the filtering media.

## SPECIFICATIONS

MODEL	1110	1210, 2210, 2216, 3210	1310, 2310, 3310	1410, 2410, 2416, 3410	1910
Replacement Filter	Model 110 or 113 with SelfSeal™	Model 210, 213, 213CBN or 216 with SelfSeal™	Model 310 or 313 with SelfSeal™	Model 410, 413, 413CBN or 416 with SelfSeal™	Model 910 or 913 with SelfSeal™
Maximum Equipment Weight	Cabinet will support 250 lb. static load	Cabinet will support 400 lb. static load			
Air Cleaner Operating Environment	Temperature: 0°F–140°F, Humidity: 0–90% non-condensing				

## DIMENSIONS



90-1333

TABLE 1 – DIMENSIONS (INCHES)

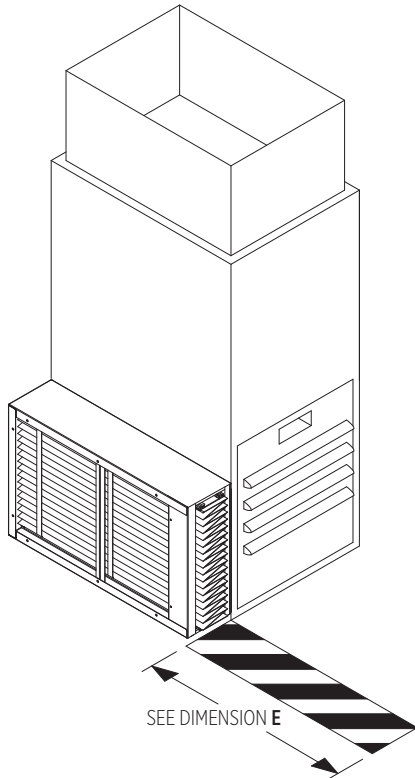
Model	A	B	C	D	E	F	G	H
1110	15-7/16	20-1/16	17-3/8	6-3/4	22-1/16	17-3/8	15-7/16	17-3/4
1210, 2210, 2216, 3210	19-3/4	25-3/8	21-3/16	6-3/4	27-3/8	21-3/16	19-3/4	22-1/16
1310, 2310, 3310	18-1/16	20-1/16	15-7/8	6-3/4	22-1/16	15-7/8	18-1/16	20-3/8
1410, 2410, 2416, 3410	15-7/16	28-1/16	23-7/8	6-3/4	30-1/16	23-7/8	15-7/16	17-3/4
1910	22-3/4	20-1/16	15-7/8	6-3/4	22-1/16	15-7/8	22-3/4	25-1/16

# INSTALL THE AIR CLEANER CABINET

## LOCATING THE AIR CLEANER

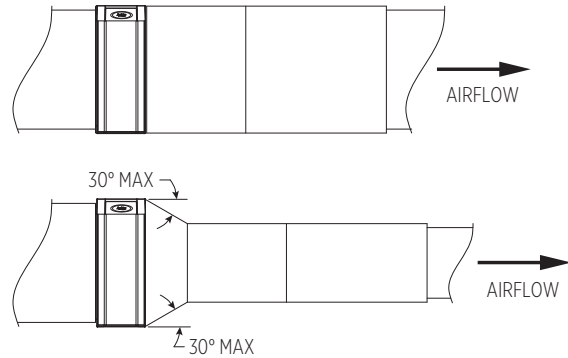
1. Leave sufficient space in front of the air cleaner for the removal of the filter (see **FIGURE 1**).
2. **DO NOT INSTALL DOWNSTREAM OF A UV LIGHT.**  
UV lamps will cause degradation of the filtering media.
3. **FIGURES 2-4** show typical applications.

**FIGURE 1 – FILTER CLEARANCE**



90-1374

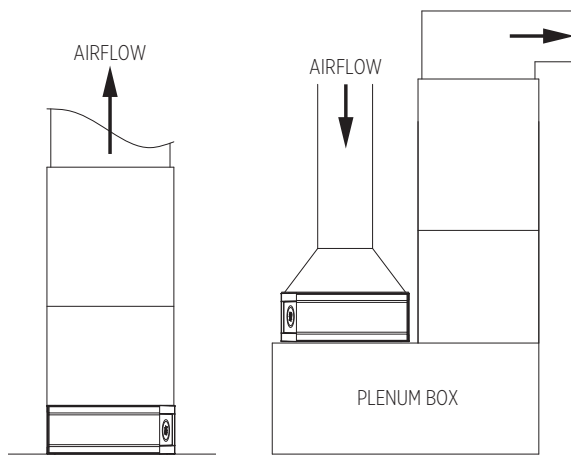
**FIGURE 2 – HORIZONTAL INSTALLATION**



90-1319

90-2099

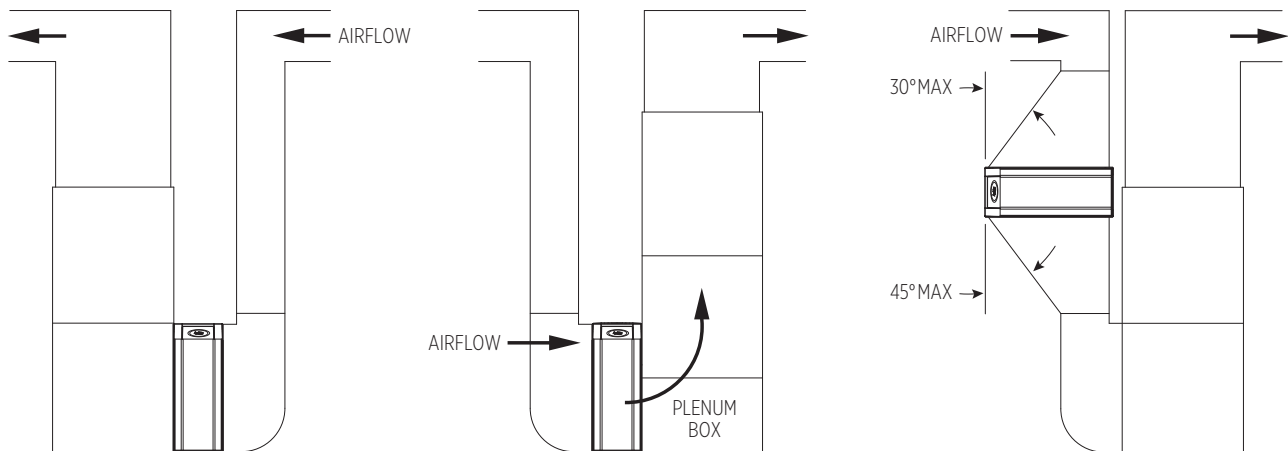
**FIGURE 3 – HIGHBOY PLATFORM INSTALLATION**



90-2100

90-1318

**FIGURE 4 – UPFLOW INSTALLATION**



90-1320

90-2101

90-1320

## INSTALLATION

1. Disconnect power to the furnace or air handler at the electrical service panel.

### **⚠ WARNING**

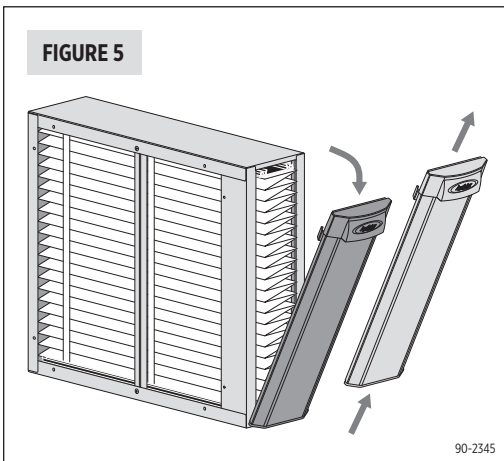
120 Volts may cause serious injury from electrical shock. Disconnect power to the furnace/air handler before starting installation. Leave power disconnected until installation is completed.

2. Remove the air cleaner door from the outer housing and pull out the filter (see **FIGURE 5**).
3. If replacing an existing filter, remove the filter and thoroughly clean the blower compartment.
4. Use screws (field supplied) to mount the outer housing to the furnace/air handler. There is no inlet or outlet side on the outer housing (the outer housing can be mounted on the left or right side of the furnace/air handler).

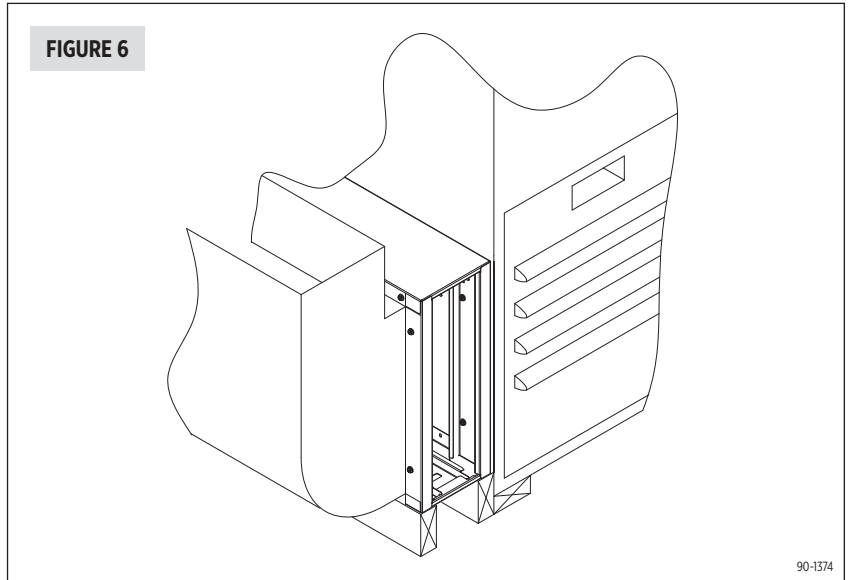
**NOTE FOR UPFLOW INSTALLATIONS:** Provide support under the outer housing to ensure the quality of the seals (see **FIGURE 6**).

5. Mount the return ductwork to the outer housing.
6. Seal all connections using mastic, foil tape or silicone based caulk.
7. Install the filter (see **FIGURE 7**).
8. Install the door.
9. Reconnect power to the furnace or air handler at the electrical service panel.

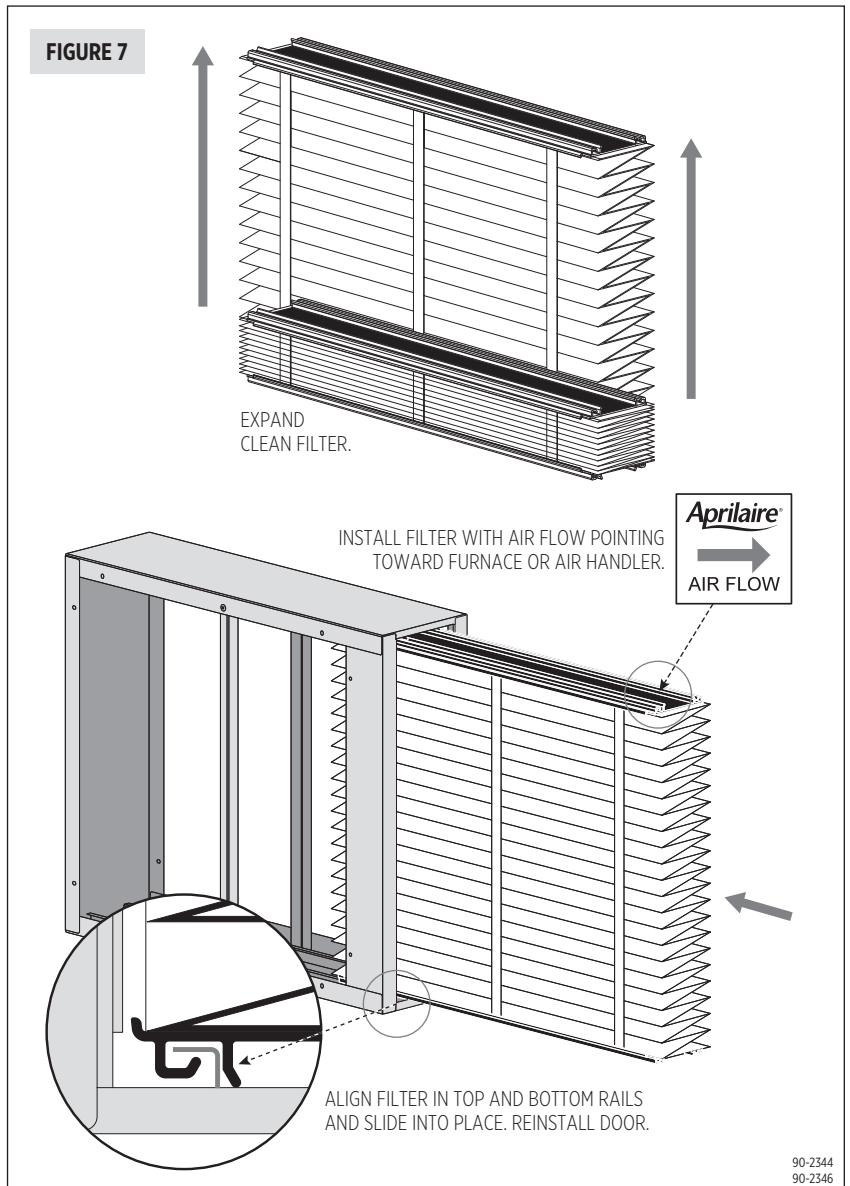
**FIGURE 5**



**FIGURE 6**



**FIGURE 7**



**AprilairePartners.com**  
P.O. Box 1467  
Madison, WI 53701-1467  
800.334.6011 F: 608.257.4357  
Printed in USA  
©2020 **Aprilaire** – Division of Research Products Corporation  
10011245 B2701359D 2.20

**Aprilaire**<sup>®</sup>