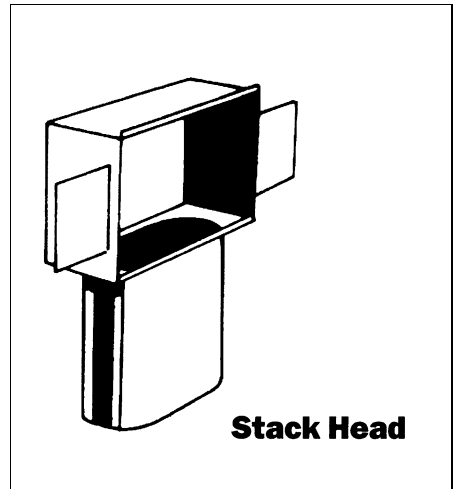


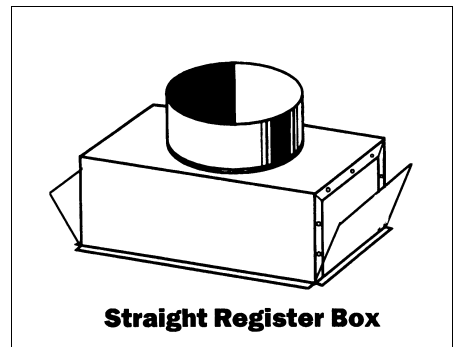
STACK HEADS

Duct Size x Register size	PROD #	WT/EA
3 1/4 x 10 x 10 x 6"	3006SH	2.3



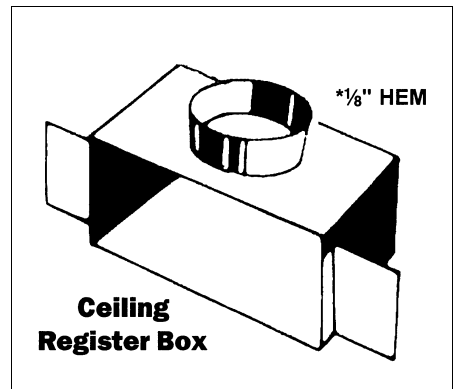
STRAIGHT REGISTER BOXES

REGISTER SIZE X ROUND SIZE	PROD #	WT / EA
10 x 6 x 5"	1065SRB	1.9
10 x 6 x 6"	1066SRB	2.0



CEILING REGISTER BOXES

REGISTER SIZE X ROUND SIZE	PROD #	WT / EA
10 x 6 x 5"	1065GE	2.1
10 x 6 x 6"	1066GE	2.1



TOP TAKE - OFFS

Round Dimension	PROD. #	WT / EA	"A"	"B"
4"	4TTO	.7	5"	4"
5"	5TTO	1.2	6"	5"
6"	6TTO	1.3	7"	6"
7"	7TTO	1.4	8"	7"
8"	8TTO	1.5	8"	8"

