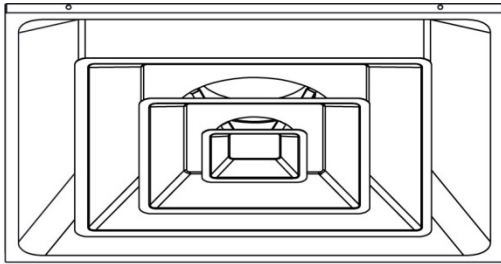




Commercial Submittal Sheet

HVD Series

3 Cone T-Bar Diffuser



Model: HVD
Description: 3 Cone High Volume T-Bar Diffuser

Standard Features:

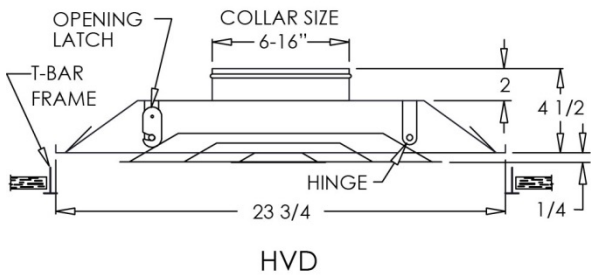
- 3 Cone steel hinged face
- Designed for high volume air delivery
- 360° air diffusion
- Hinged down core for easy duct access
- Collar sizes available in 6", 7", 8", 9", 10", 12", 14", & 16"
- 2 x 2 steel panel with seismic support straps
- Square to round ADC compliant 2" No Labor Collar with roll formed retention bead
- Soft White

Options:

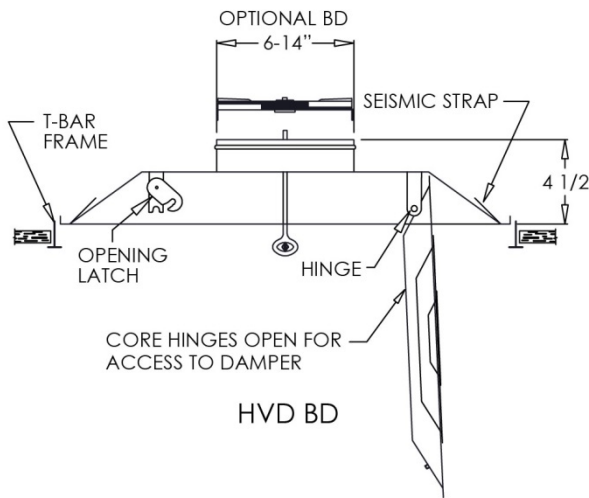
- Aluminum 3 cone T-Bar diffuser (AA-HVD)
- Adjustable baffle controllers to direct airflow horizontal or vertically (HVD-ADJ)
- 1X1 architectural T-Bar panel diffuser (HVD-1X1)
- Field installable Bowtie Damper, available on sizes 6" through 14" (BD)
- Square Collar
- TVB – Thermal Vapor Blanket: 1" thick 2 x 2 foil faced insulation blanket
- NGD – Narrow Ceiling Grid Dimples for 9/16" T-Bar grid applications. Dimples will keep T-Bar centered in narrow grid, improving installation quality and time (HVD-NGD).

Finishes:

Standard Colors	Designer Colors	Other
<input type="checkbox"/> Soft White	<input type="checkbox"/> Almond	<input type="checkbox"/> Coffee Tan
<input type="checkbox"/> Driftwood Tan	<input type="checkbox"/> Black Velvet	<input type="checkbox"/> Navajo White
	<input type="checkbox"/> Bronze	<input type="checkbox"/> Vanilla
	<input type="checkbox"/> Camaro Silver	<input type="checkbox"/> Aluminum Paint



HVD



CORE HINGES OPEN FOR ACCESS TO DAMPER

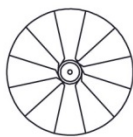
HVD BD

BD

Open



Closed



Additional Information:

Project / Location:
Engineer:
Architect:
Contractor:

Submittal Notes