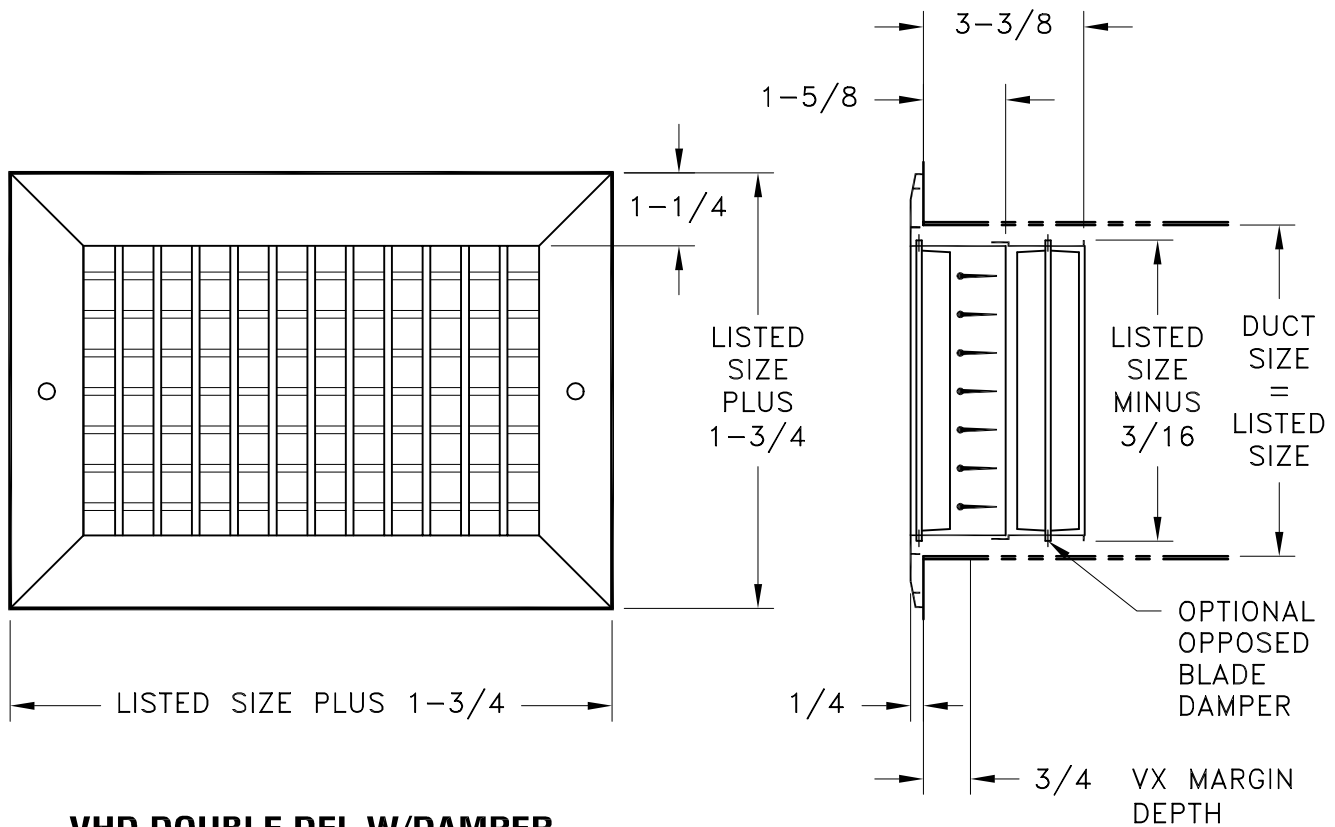


- EXTRUDED ALUMINUM CONSTRUCTION
- STYLES WITH FRONT BANK VERTICAL:
VX SINGLE DEFLECTION GRILLE
VH DOUBLE DEFLECTION GRILLE
VD SINGLE DEFLECTION WITH DAMPER
VHD DOUBLE DEFLECTION WITH DAMPER
- BARS ARE ON 3/4 INCH CENTERS AND INDIVIDUALLY ADJUSTABLE
- CHANNEL BRACE IS ADDED WHEN EITHER DIMENSION IS 48 INCHES OR OVER
- SCREW HOLE LOCATIONS STANDARD UNLESS OTHER WISE SPECIFIED
- FOR SCREW HOLE LOCATIONS SEE SD-9140
- MINIMUM SIZE: 6 X 4
- MAXIMUM SIZE: 72 X 48 OR 48 X 96 ONE PIECE CONSTRUCTION
- AVAILABLE IN 1 INCH INCREMENTS
- FINISH: WHITE (W) ENAMEL OR SATIN ANODIZED (SA)



JOB NAME: _____	SUBMITTED BY: _____	DATE: 2/21/02	SD-9112
LOCATION: _____		V SERIES Extruded Aluminum Grilles And Registers Adjustable Vertical And Horizontal Face Bars	
ARCHITECT: _____			
ENGINEER: _____			
CONTRACTOR: _____			