

STANDARD FEATURES:

- 18 ga. (1.3) galvanized steel channel frame with 20 ga. (1.0) casing components.
- 3/4" (19) dual density insulation, exposed edges coated to prevent air erosion. Meets the requirements of NFPA 90A and UL 181.
- Side and bottom full size access panels for ease of maintenance and service.
- Motor blower assembly mounted on special 16 ga. (1.6) angles and isolated from casing with rubber isolators.
- Single point electrical connection.
- Discharge opening designed for flanged duct connection.
- Controls mounted as standard on RH side as shown. Fan Coil ordered with LH controls (optional) are inverted and discharge duct hanging location will change.
- 1" (25) throwaway fiberglass media filter.

MOTOR OPTIONS:

- Energy efficient 3-Speed PSC fan motor with overload protection.
- Ultra-high efficiency 3-Speed ECM fan motor with overload protection.

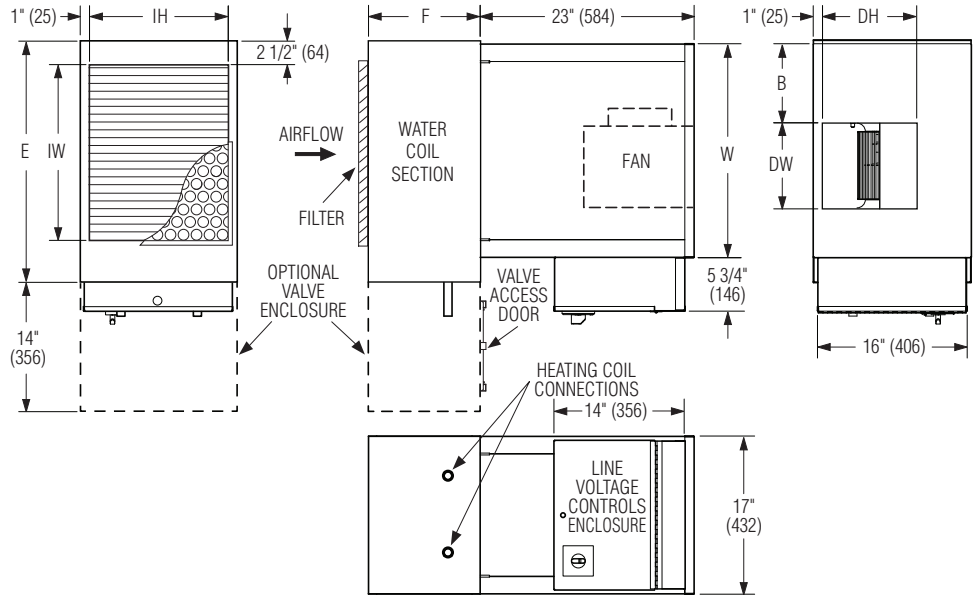
WATER COIL SECTION:

- Installed on inlet as a draw through design.
- Coil (and header on multi-circuit units) is installed in insulated (fiber-free/foam) casing for increased thermal efficiency.
- 1/2" (13) copper tubes with aluminum ripple fins.
- Side and bottom access panels for inspection and coil cleaning.
- Right hand coil connection shown (looking in direction of airflow) is standard. Left hand is optional.

Coil Options:

2 Pipe system:

- 1 Row HW.
- 2 Row HW.
- 3 Row HW.



Dimensional Data

Unit Size	Nominal CFM (l/s)	W	B	E	F	Inlet IW x IH	Outlet Discharge DW x DH	Filter Size
4	400 (189)	23 (584)	8 1/2 (216)	26 (660)	12 (305)	19 x 15 (483 x 381)	6 7/8 x 10 1/8 (175 x 257)	20 x 16 (508 x 406)
6	600 (283)						9 1/4 x 10 1/8 (235 x 257)	
8	800 (378)						9 3/4 x 10 1/8 (235 x 257)	
10	1000 (472)	37 (940)	16 (406)	40 (1016)		33 x 15 (838 x 381)	9 1/4 x 10 1/8 (235 x 257)	35 x 16 (889 x 406)
12	1200 (566)						11 1/8 x 10 1/8 (302 x 257)	
14	1400 (661)						11 1/8 x 10 1/8 (302 x 257)	
16	1600 (755)				13 1/4 x 11 1/4 (337 x 286)			

Electrical Data

Unit Size	3-Speed ECM Motor FLA					3-Speed PSC Motor FLA				
	Motor HP	120V	208V	240V	277V	Motor HP	120V	208V	240V	277V
4	1/3	1.5	1.4	1.4	0.9	1/10	1.5	0.7	0.7	0.6
6	1/3	2.9	1.9	1.9	1.5	1/6	2.5	1.1	1.2	1.1
8	1/3	3.3	2.2	2.2	1.9	1/6	2.7	1.3	1.3	1.2
10	1/3	3.6	2.4	2.4	2.4	1/4	3.8	1.9	1.9	1.5
12	1/2	4.3	2.8	2.7	2.9	1/4	4.1	2.0	2.0	1.6
14	1/2	5.1	3.4	3.4	3.2	1/3	4.6	2.3	2.3	2.0
16	3/4	6.0	4.0	4.0	3.7	1/3	7.1	3.0	3.0	2.7

FLA = Full load amperage (High Fan Speed). All motors are single phase/60 Hz.

Coil O.D. Sweat Connections

Unit Size	Number of Rows	
	1 & 2	3
4-8	5/8	7/8
10-16	5/8	7/8



SCHEDULE TYPE:

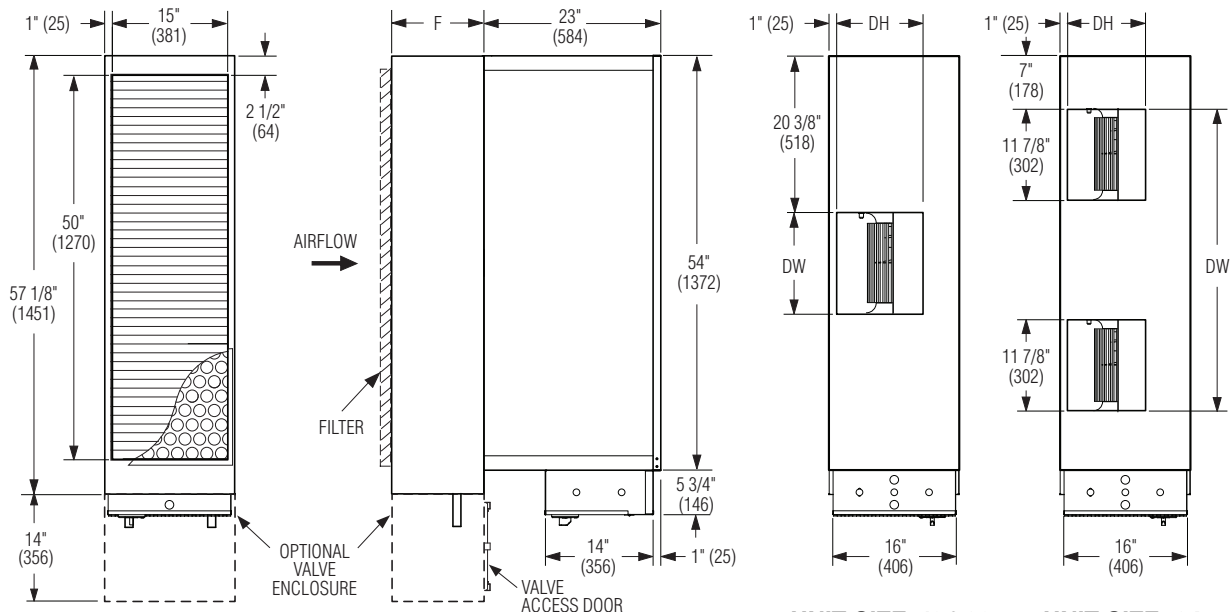
PROJECT:

ENGINEER:

CONTRACTOR:

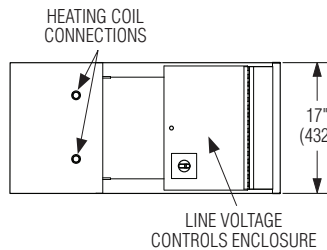
Page 1 of 2.
Dimensions are in inches (mm).

DATE	B SERIES	SUPERSEDES	DRAWING NO.
2 - 1 - 16	35FH	6 - 9 - 14	35FH-7



UNIT SIZE: 18 & 20
(1 BLOWER)

UNIT SIZE: 24
(2 BLOWERS)



CONTROLS:

- By others.
- Nailor Thermostat.

OPTIONS AND ACCESSORIES:

- 2" (51) pleated disposable filter.
 - MERV 8
 - MERV 13
- Factory assembled valve piping package.
 - shipped loose
 - mounted in full protective enclosure
- Fiber-free liner.
- Perforated metal liner.
- Steri-liner.
- Steri-liner w/perf.
- 1" (25) fiberglass liner.
- Hanger brackets.
- LH controls location/configuration.
- Toggle disconnect switch.
- Ultraviolet light package.
- Ducted return filter rack connection (see separate submittal 35FH/37FH-FFR).
- Mixing Box (See separate submittal 35FH-MB).
- Outside Air Inlet (OAI) (see separate submittal 35FH-OAI).



Dimensional Data

Unit Size	Nominal CFM (l/s)	F	Outlet Discharge DW x DH	Filter Size
18	1800 (849)	12 (305)	13 ¼ x 11 ¼ (337 x 286)	52 x 16 (1321 x 406)
20	2000 (944)		13 ¼ x 11 ¼ (337 x 286)	
24	2400 (1038)		39 ¼ x 10 ½ (997 x 257)	

Electrical Data

Unit Size	3-Speed ECM Motor FLA					3-Speed PSC Motor FLA				
	Motor HP	120V	208V	240V	277V	Motor HP	120V	208V	240V	277V
18	3/4	6.4	4.5	4.5	4.3	1/3	7.7	3.3	3.4	3.2
20	3/4	7.7	5.6	5.6	5.3	1/2	8.2	4.3	4.4	3.6
24	2 @ 1/3	9.4	6.0	6.0	6.1	2@ 1/3	8.4	4.0	4.0	3.6

FLA = Full load amperage (High Fan Speed). All motors are single phase/60 Hz.

Coil O.D. Sweat Connections

Unit Size	Number of Rows	
	1 & 2	3
18 – 24	5/8	1 1/8

SCHEDULE TYPE:

PROJECT:

ENGINEER:

CONTRACTOR:

Page 2 of 2.
Dimensions are in inches (mm).

DATE	B SERIES	SUPERSEDES	DRAWING NO.
2 - 1 - 16	35FH	6 - 9 - 14	35FH-7