

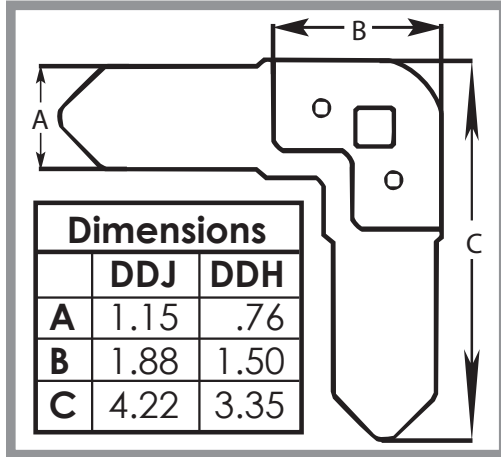
SUBMITTAL RECORD _____
 JOB _____
 LOCATION _____
 SUBMITTED TO _____
 SUBMITTAL PREPARED BY _____
 APPROVED BY _____
 DATE _____



Submittal Form DDJ/DDH Corners

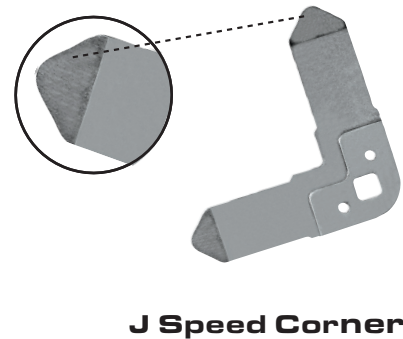
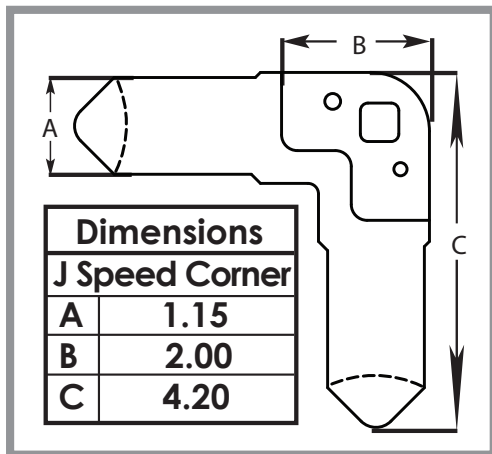
J and H Corners

- DDJ corners are manufactured from 12-gauge steel. For use with DOMJ Flange.
- DDH corners are manufactured from 12-gauge steel. For use with DOMH Flange.
- Nuts and Bolts are *also* sold separately.



Speed Corner

- Tapered coined corner tips for fast/easy hand insertion in to the Flange eliminating the need for a tinner's hammer.
- Speed Corners are formed from galvanized G 60 or better 12ga USA made steel. For use with standard J Flange.
- Nuts and Bolts are *also* sold separately.



Item #	Code	Description
21240	DDJ	Corner for DOMJ Flange
21241	DDH	Corner for DOMH Flange
21242	DDJNB	J Corner with 3/8 in. Nut & Bolt
21249	DDHNB	H Corner with 1/4 in. Nut & Bolt
21094	DDJS	J Speed Corner
21095	DDJSNB	J Speed Corner with 3/8" Nuts & Bolts

*For Stainless Steel & Aluminum corners, see Quad Corner Submittal

Duro Dyne East Division, Bay Shore, NY
 Duro Dyne Midwest Division, Fairfield, OH
 Duro Dyne West Division, Fontana, CA
 Duro Dyne Canada, Lachine, Quebec, Canada

631-249-9000 Fax: 631-249-8346
 513-870-6000 Fax: 513-870-6005
 562-926-1774 Fax: 562-926-5778
 514-422-9760 Fax: 514-636-0328

www.durodyne.com E-mail: durodyne@durodyne.com



©2015 Duro Dyne Corporation
 Printed in USA 8/15
 B0050007