



**Hercules**  
INDUSTRIES

COMMERCIAL FABRICATION DIVISION

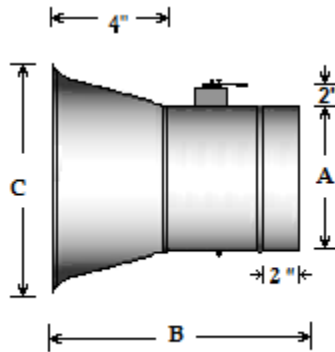
[www.herculesIndustries.com](http://www.herculesIndustries.com)

5050 Florence St. Denver Colorado 80238

Tel. 303 388-899 Fax. 303 388-8301

Toll Free. 1 800 870-4305

## Bellmouth Take-Off Fitting with Damper & Stand-Off Model Series SO29000



### • Features •

- ✓ Bellmouth shape allows for greater air flow
- ✓ Two quadrants on all dampers
- ✓ Position of handle indicates damper setting
- ✓ 3/8" Square End Bearings
- ✓ 2" Stand Height Elevated Regulator Set with Hex Nut for Insulated Duct
- ✓ Handle constructed out of heavy plated steel
- ✓ Spin In constructed of **26 Ga.** Galvanized Steel **ASTM-A653-00**
- ✓ SMACNA Standards

Order Size (A)	Length (B)	Flange (C)
6"	10"	8"
8"	12"	10"
10"	14"	12"
12"	16"	14"
14"	16"	16"
16"	16"	18"

\* All gauges and reinforcements are in compliance with 2005 SMACNA standards for duct fabrication.

