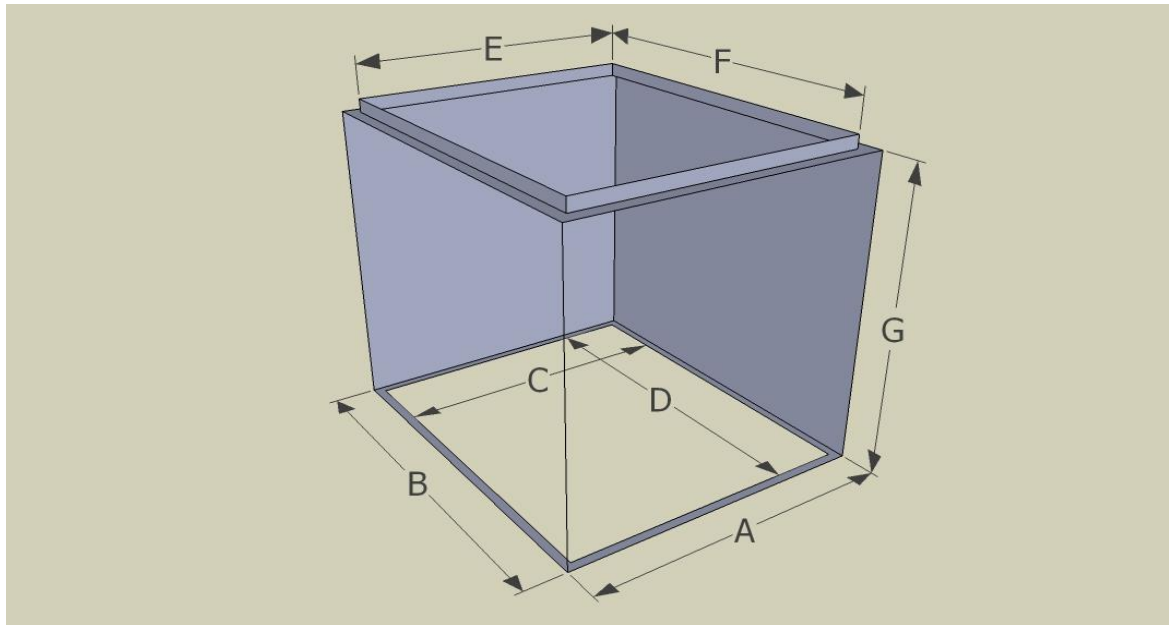


## Cased Evaporator Coil Specifications

HERCULES MODEL	COIL MODEL	OVERALL DIMENSIONS		BOTTOM OPENING		TOP OPENING		HEIGHT
		A	B	C	D	E	F	
CC13-1.5/2TXV-A	AE22936D145B1601AP	14.50	21.00	13.50	20.50	13.00	19.50	16.50
CC13-1.5/2TXV-B	AE22936D175B1601AP	17.50	21.00	16.50	20.50	16.00	19.50	16.50
CC13-2.5/3TXV-A	AE32936D145B1601AP	14.50	21.00	13.50	20.50	13.00	19.50	16.50
CC13-2.5/3TXV-B	AE32936D175B1601AP	17.50	21.00	16.50	20.50	16.00	19.50	16.50
CC13-3.5TXV-B	AE34942D175B2001AP	17.50	21.00	16.50	20.50	16.00	19.50	20.50
CC13-3.5TXV-C	AE34942D210B2001AP	21.00	21.00	20.00	20.50	19.50	19.50	20.50
CC13-4/5TXV-C	AE36960D210B2101AP	21.00	21.00	20.00	20.50	19.50	19.50	25.50
CC13-4/5TXV-D	AE36960D245B2101AP	24.50	21.00	23.50	20.50	23.00	19.50	25.50
CC1.5/2TXV-A	AE11936D145B1801AP	14.50	21.00	13.50	20.50	13.00	19.50	18.50
CC1.5/2TXV-B	AE11936D175B1801AP	17.50	21.00	16.50	20.50	16.00	19.50	18.50
CC2.5/3TXV-A	AE34936D145B2001AP	14.50	21.00	13.50	20.50	13.00	19.50	20.50
CC2.5/3TXV-B	AE34936D175B2001AP	17.50	21.00	16.50	20.50	16.00	19.50	20.50
CC2.5/3TXV-C	AE34936D210B2001AP	21.00	21.00	20.00	20.50	19.50	19.50	20.50
CC3.5/4TXV-B	AE48948D175B2701AP	17.50	21.00	16.50	20.50	16.00	19.50	27.50
CC3.5/4TXV-C	AE48948D210B2701AP	21.00	21.00	20.00	20.50	19.50	19.50	27.50
CC4/5TXV-C	AE48960D210B2701AP	21.00	21.00	20.00	20.50	19.50	19.50	27.50
CC4/5TXV-D	AE48960D245B2701AP	24.50	21.00	23.50	20.50	23.00	19.50	27.50
CCE2.5/3TXV-A	AE35936D145B2501AP	14.50	21.00	13.50	20.50	13.00	19.50	25.50
CCE2.5/3TXV-B	AE35936D175B2501AP	17.50	21.00	16.50	20.50	16.00	19.50	25.50
CCE2.5/3TXV-C	AE35936D210B2501AP	21.00	21.00	20.00	20.50	19.50	19.50	25.50
CCE3.5/5TXV-C	AE49960D210B2701AP	21.00	21.00	20.00	20.50	19.50	19.50	27.50
CCE3.5/5TXV-D	AE49960D245B2701AP	24.50	21.00	23.50	20.50	23.00	19.50	27.50



### General Specifications

- : Produced in a ISO 9002 certified facility.
- : Ratings in conformity with ARI standard 210.
- : UL Listed.
- : For use with R-410a refrigerants.
- : Coils are individually tested at 450 PSI, then pressurized and sealed.
- : UV resistant drain pans are molded of high temperature (450° F) engineering polymer.
- : Rifled Copper Tubing.
- : Patented lance fin design.
- : Refrigerant connections are 3/8" ODF liquid and 3/4" ODF (18-36 MBTUH) or 7/8" ODF (42-60 MBTUH) suction.
- : Florrators standard.
- : Factory installed, screw-on expansion valves with threaded equalizer tube connection. Available for R410a, AC or HP applications.

### Additional "A" Coil Features

- : All coils are foam packed with bar coding on label.
- : No hassle 5 year warranty.
- : 410a heat pump TXV factory installed
- : Patented "Plus 1" assembly.
- : Interlocking door assemblies and snug line seal grommets to minimize air leakage (cased coils).
- : HYDROTEC™ low water retention drain pan with antimicrobial additive.
- : Dual 3/4" FPT condensate drains on left and right.
- : Heavy gauge embossed galvanized cabinets fully lined with 1/2" foil faced insulation (cased coils).
- : Painted cabinets.
- : Refrigerant connections available on left or right.
- : Up or down airflow (standard coil)