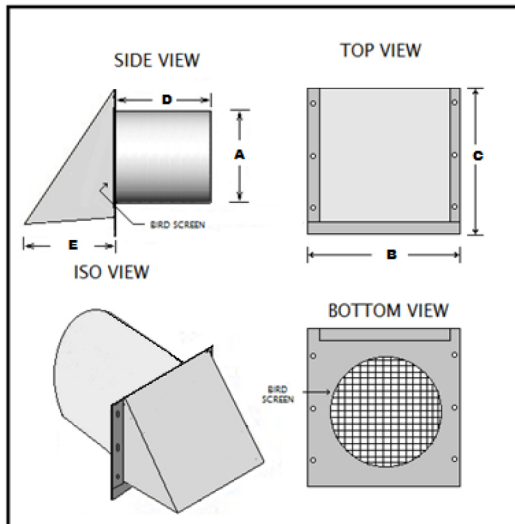




### Air Intakes



Our intakes come equipped with a 1/4" x 1/4" bird screen. These items are generally used to improve fresh air to concealed areas. Not recommended for dryer vents. Body constructed of 26Ga. Galvanized steel ASTM-A653-00 SMACNA Standards.



PRODUCT	A	B	C	D	E
5AI	5"	7.5"	9"	9"	3.5"
6AI	6"	8"	10"	9"	4"
7AI	7"	9"	9"	8.5"	4"
8AI	8"	10.5"	10.5"	8.5"	4.5"
10AI	10"	12"	12"	9.5"	5.5"

\* All gauges and reinforcements are in compliance with 2005 SMACNA standards for duct fabrication.



1-800-870-4305

