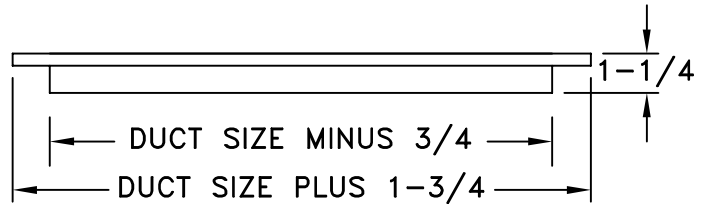
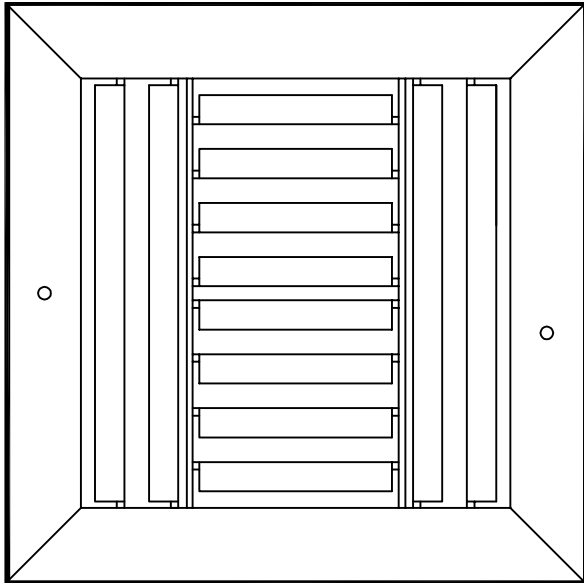
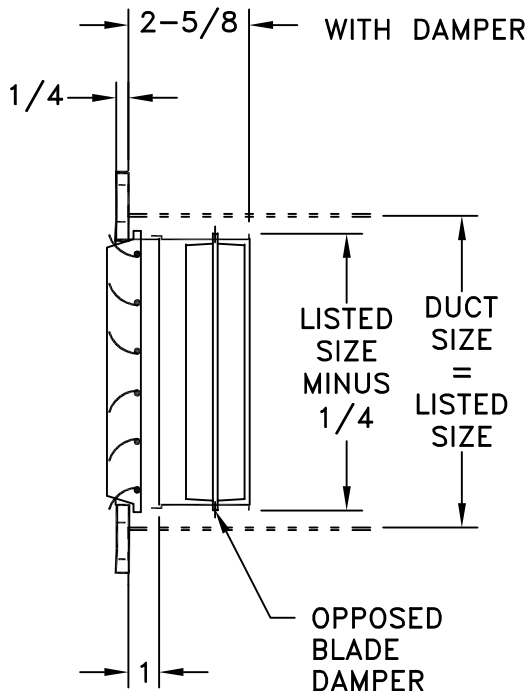


- HEAVY GAUGE STEEL CONSTRUCTION
 - ADJUSTABLE 1,2,3,4-WAY CURVED BLADES
 - DAMPER BLADES ARE SPRING STIFFENED
 - STEEL OPPOSED BLADE OR MULTI BLADE DAMPER
 - FINISH: WHITE(W) ENAMEL
- MIN SIZE 6X4 1&2 WAY
 MIN SIZE 6X6 2,3&4 WAY
 MAX SIZE 36X36 FOR ALL

MODEL 813



- MODEL SERIES 811
1-way no damper
- MODEL SERIES 811MS
1-way multi-shutter damper
- MODEL SERIES 811OB
1-way opposed damper
- MODEL SERIES 812
2-way no damper
- MODEL SERIES 812MS
2-way multi-shutter damper
- MODEL SERIES 812OB
2-way opposed blade damper
- MODEL SERIES 812C
2-way corner no damper
- MODEL SERIES 812CMS
2-way corner multi-shutter damp.
- MODEL SERIES 812COB
2-way corner OBD
- MODEL SERIES 813
3-way no damper
- MODEL SERIES 813MS
3-way multi blade damper
- MODEL SERIES 813OB
3-way opposed blade damper
- MODEL SERIES 814MS
4-way no damper
- MODEL SERIES 814MS
4-way multi shutter damper
- MODEL SERIES 814OB
4-way opposed blade damper



JOB NAME: _____
 LOCATION: _____
 ARCHITECT: _____
 ENGINEER: _____
 CONTRACTOR: _____

SUBMITTED BY: _____

DATE: 04/14/2014 SD-9021

800 SERIES
 Steel Curved Blade
 1,2,3,4-Way Deflection Diffuser